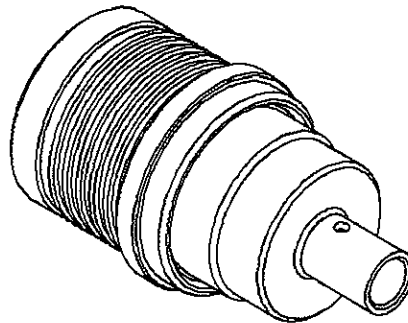
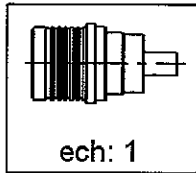
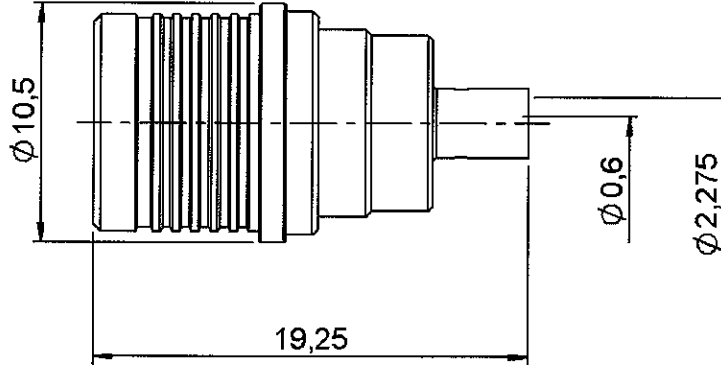


**STRAIGHT PLUG SOLDER TYPE**

**R123.054.000**

**CABLE .085**

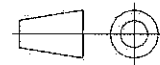
Series : QMA



All dimensions are in mm.

pn

ao



COMPONENTS	MATERIALS	PLATINGS (µm)
BODY	BRASS	BBR 2
CENTER CONTACT	BRASS	NPGR
OUTER CONTACT	BRASS	BBR 2
INSULATOR	PTFE	
GASKET	-	
OTHERS PARTS	BRASS	BBR 2
-	-	-
-	-	-

Issue : 0604 E

In the effort to improve our products, we reserve the right to make changes judged to be necessary.



**RADIALL**®

**STRAIGHT PLUG SOLDER TYPE**

**R123.054.000**

**CABLE .085**

Series : QMA

**PACKAGING**

**SPECIFICATION**

Standard	Unit	Other
<b>100</b>	<b>'W' option</b>	<b>Contact us</b>

**CABLE ASSEMBLY**

**ELECTRICAL CHARACTERISTICS**

Stripping	a	b	c	d	e	f
mm	3,17	0	0	0	0	0

Impedance		<b>50</b> Ω
Frequency		<b>0-6</b> GHz
VSWR	<b>1.05 +</b>	<b>0,01</b> x F(GHz) Maxi
Insertion loss		<b>.05</b> √F(GHz) dB Maxi
RF leakage	<b>- (</b>	<b>80</b> - F(GHz)) dB Maxi
Voltage rating		<b>335</b> Veff Maxi
Dielectric withstanding voltage		<b>750</b> Veff mini
Insulation resistance		<b>5000</b> MΩ mini

Assembly instruction :

Recommended cable(s)  
 KS 1  
 RG 405  
 BELN 1671A N

Characteristics indicated on this data sheet are those that can be achieved with the highest performance cable. Intrinsic limitations of the cable may diminish the performance of the assembly

Cable retention

- pull off **130** N mini  
 - torque **NA** N.cm

**MECHANICAL CHARACTERISTICS**

**TOOLING**

Center contact retention		
Axial force – Mating end	<b>NA</b>	N mini
Axial force – Opposite end	<b>NA</b>	N mini
Torque	<b>NA</b>	N.cm mini

Part Number	Description	Hexagon
.	.	.
R282.051.000	STRIPPING TOOL	
R282.063.000	POINTER GAUGE	
R282.740.000	SOLDERING MOUNTING	
R282.744.220	SOLDERING POSITIONER (CENTER CONTACT)	
R282.862.090	CONTROL GAUGE	

Recommended torque		
Mating	<b>NA</b>	N.cm
Panel nut	<b>NA</b>	N.cm
Clamp nut	<b>NA</b>	N.cm
A/F clamp nut	<b>0</b>	mm

Mating life	<b>100</b>	Cycles mini
Weight	<b>4,95</b>	g

**ENVIRONMENTAL**

**OTHERS CHARACTERISTICS**

Operating temperature	<b>-40/+80</b>	° C
Hermetic seal	<b>NA</b>	Atm.cm3/s
Panel leakage	<b>NA</b>	

: 3 < F < 6GHz :> 70db  
 Intermodulation:-120dBc at 1.8GHz(2x20W)

Issue : 0604 E

In the effort to improve our products, we reserve the right to make changes judged to be necessary.



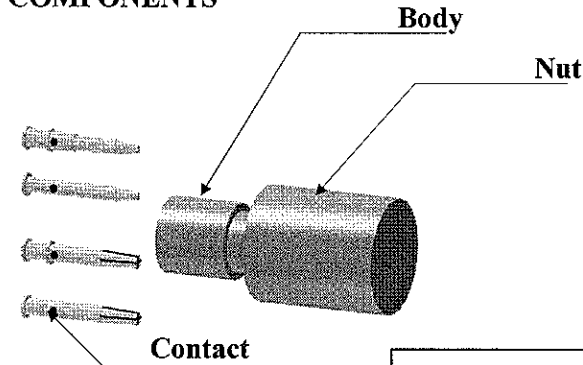
**STRAIGHT PLUG SOLDER TYPE**

**R123.054.000**

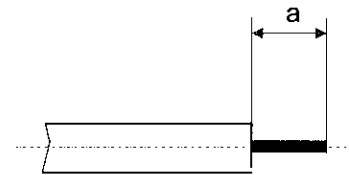
**CABLE .085**

Series : QMA

**COMPONENTS**



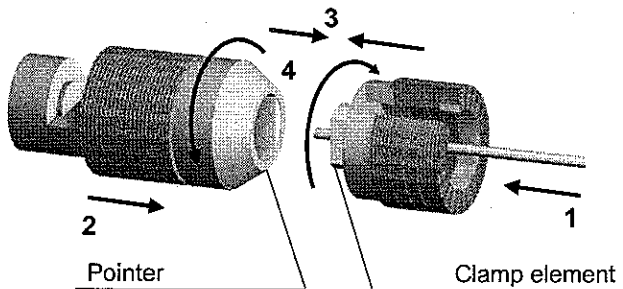
**STRIPPING DIMENSIONS**



We recommend a thermal preconditioning cable

1

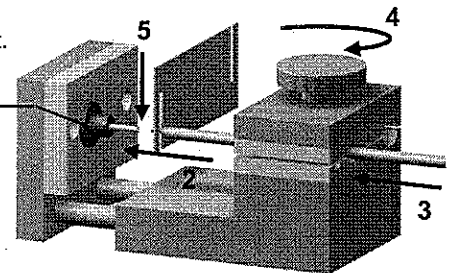
Insert the cable into the clamp element.  
Present the pointer in front of the clamp element.  
Push the cable until it stops, while holding the clamp element pushed on the hollow part of the pointer.  
Turn the clamp element until the release of the pointer.



3

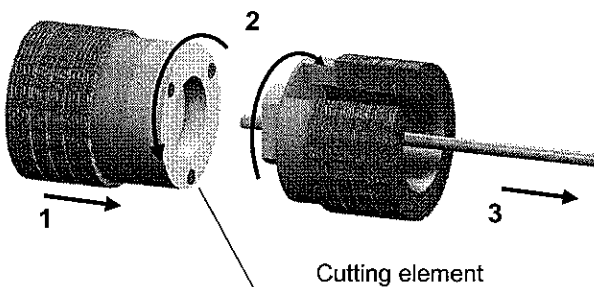
Mount the positioner A.  
Slide the centre contact into the positioner A.  
Insert the solder gauge between the centre contact and the cable.  
Tighten  
Solder the contact.

1 - Positioner A



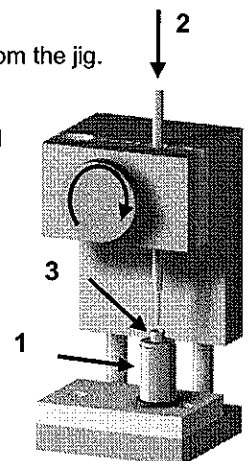
2

Present the cutting element in front of the clamp element.  
Push and turn both elements, back part opposite to the front part. Once they reach the stop, pull without revolving.



4

After cooling, remove the assembly from the jig.  
Positioning the connector onto the Assembly jig.  
Slide the cable into the connector until it bottoms against the insulator  
Tighten.  
Put three rings of solder around the cable and solder.  
After cooling, remove the assembly from the jig.



Issue : 0604 E

In the effort to improve our products, we reserve the right to make changes judged to be necessary.



**RADIALL**®